



# COMACCHIO

## GEO 205

---

Geotechnical solutions designed and built by Comacchio, distributed and supported in Australia by Drilltechniques









# Form and function combine





A photograph of a large industrial robotic arm in a factory. The arm is primarily white with red accents and is mounted on a complex metal structure. It is surrounded by safety railings and overhead lighting. A white banner with the text 'Extended capability' is overlaid on the bottom half of the image. The background shows the interior of a large industrial building with a high ceiling and skylights.

# Extended capability





**Compact, powerful  
and effective**

# The GEO 205 in action



# Earth Probe Installation

Comacchio GEO 205  
SN: 3515

Customer: Specialised  
Infrastructure

Images taken:  
22/02/2022

Location:  
41 Thomas Mitchell  
Drive Muswellbrook  
NSW 2333





# Auger Drilling, SPT

Comacchio GEO 205 x 2  
SN: 1603, 3265

Customer: Rockwell Drilling

Images taken:  
August 2020

Location:  
Melbourne (Regional)





# Anchor Drilling

Comacchio GEO 20  
SN: 3266

Customer: Mulligan Drilling

Images taken:  
April 2019

Location:  
Narrabundah





# Coring (Marine)

- Comacchio GEO 205
- Serial No. 3015
- Customer: Earthcore Drilling
- Images taken: Feb 2021
- Location: Melbourne (Regional)





---

# Auger Drilling/SPT

---

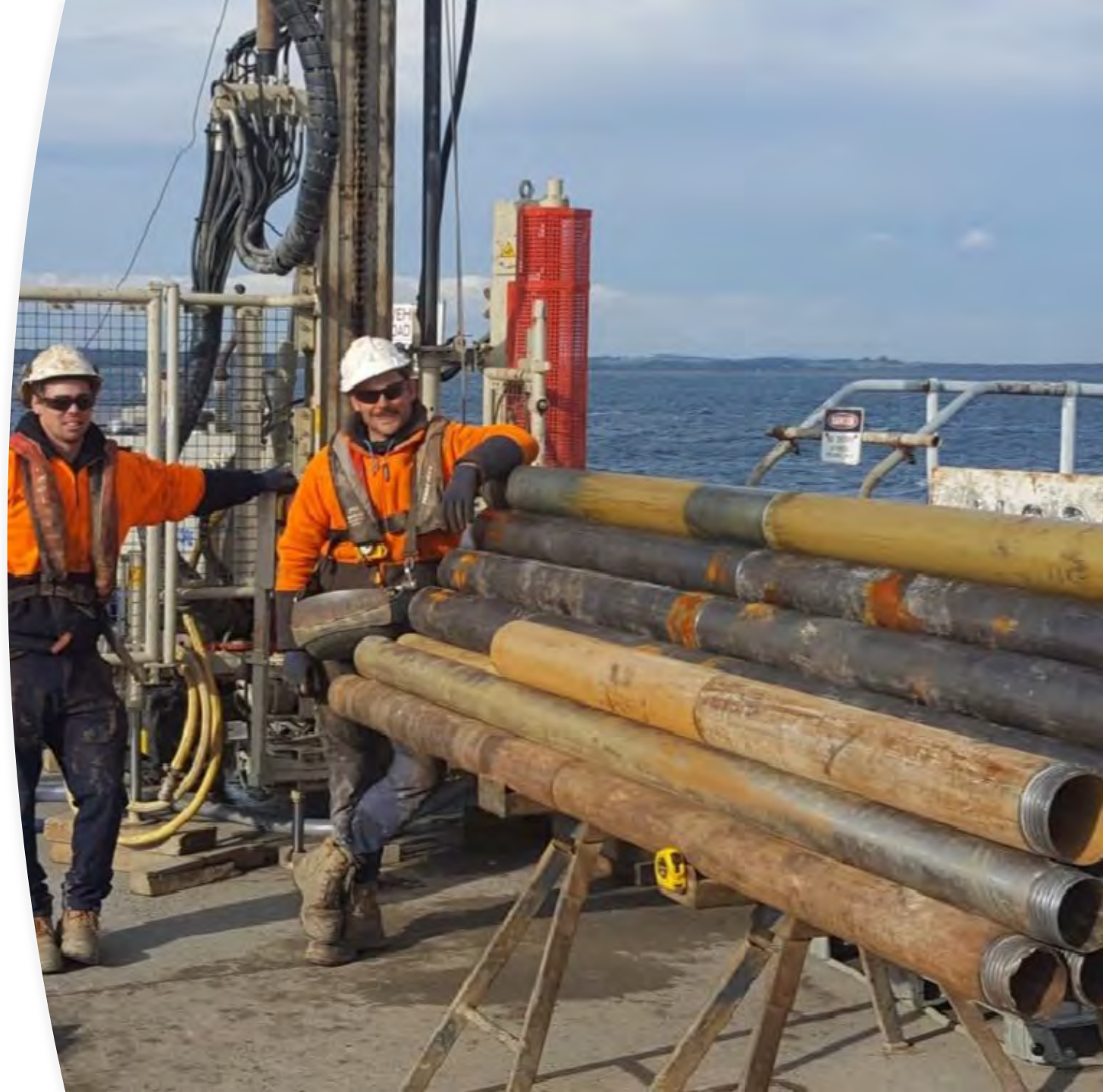
- Comacchio GEO 205
- Serial No. 3837
- Customer: El Australia (Geosense)
- Images taken: 2022
- Location: Not indicated





# Coring (Marine)

- Comacchio GEO 205
- Serial No. 3015
- Customer: Earthcore Drilling
- Images taken: October 2020
- Location: Melbourne (Regional)





# Coring, Down Hole Testing

Comacchio GEO 205  
SN: 3265

Customer: Rockwell  
Drilling

Images taken:  
June 2020

Location:  
Melbourne





# Auger Drilling/SPT

Comacchio GEO 205  
SN: 2320

Customer:  
Groundwave Drilling

Images taken:  
13/03/2015

Location:  
115 de Goldis Rd,  
Fyansford, Victoria,  
3218





# Auger Drilling/SPT

Comacchio GEO 205  
SN: 2254

Customer: Jeffery &  
Katouskas

Images taken:  
11/03/2015

Location:  
Garden Street,  
Erskineville, NSW





# Safety and Conformity



**COMACCHIO**

DRILLING HI-TECH



# Rotation Safety

- Fully interlocked rotation safety cage
- Restricted operating mode
- Large stop buttons on each side of rig
- Fully enclosed drilling location



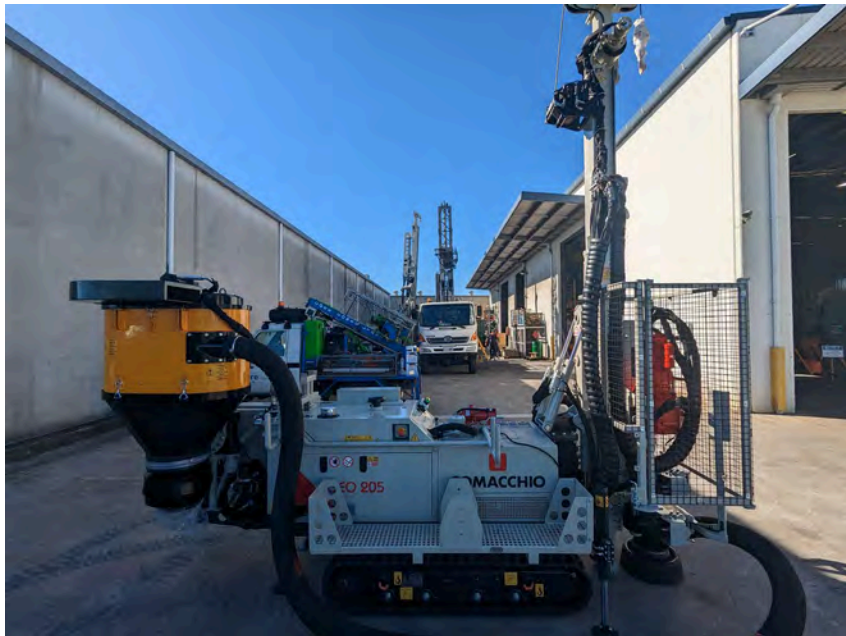


# Pipe Handling Arm Option

- Designed and manufactured by Drilltechniques
- Loads the drilling rods into the drilling rig
- Removes personnel from the rotating equipment
- Mitigates some risks from the drilling operation







# Dust Extraction Option

- Hydraulic dust extraction system
- Includes bag handling system
- Removes almost 100% of dust from the drilling operation
- Dust Extractor manufactured in Sweden
- Powered by the drilling unit auxiliary
- Self-cleaning via PLC
- Improved Health & Safety outcomes for employees and the public



# Radio Remote Control

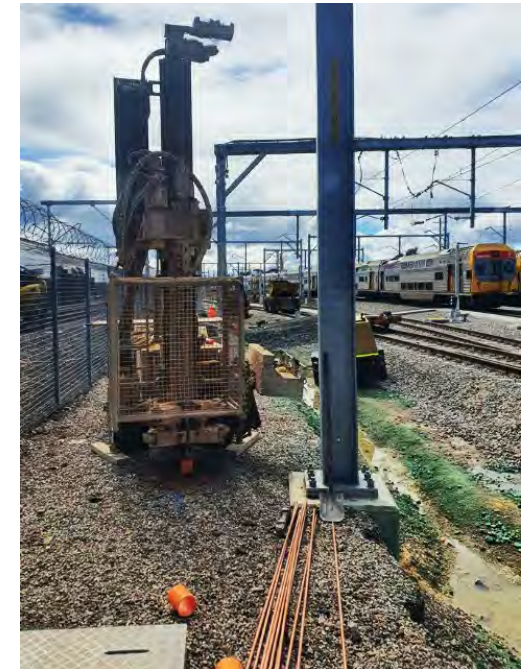
- Operator always in a position of safety and excellent view of the operation
- Inbuilt accelerometer in case operator trips, falls or remote is dropped - rig shuts down
- Rig shuts down if remote travels outside of connection range





# GEO 205 Drilling Capabilities

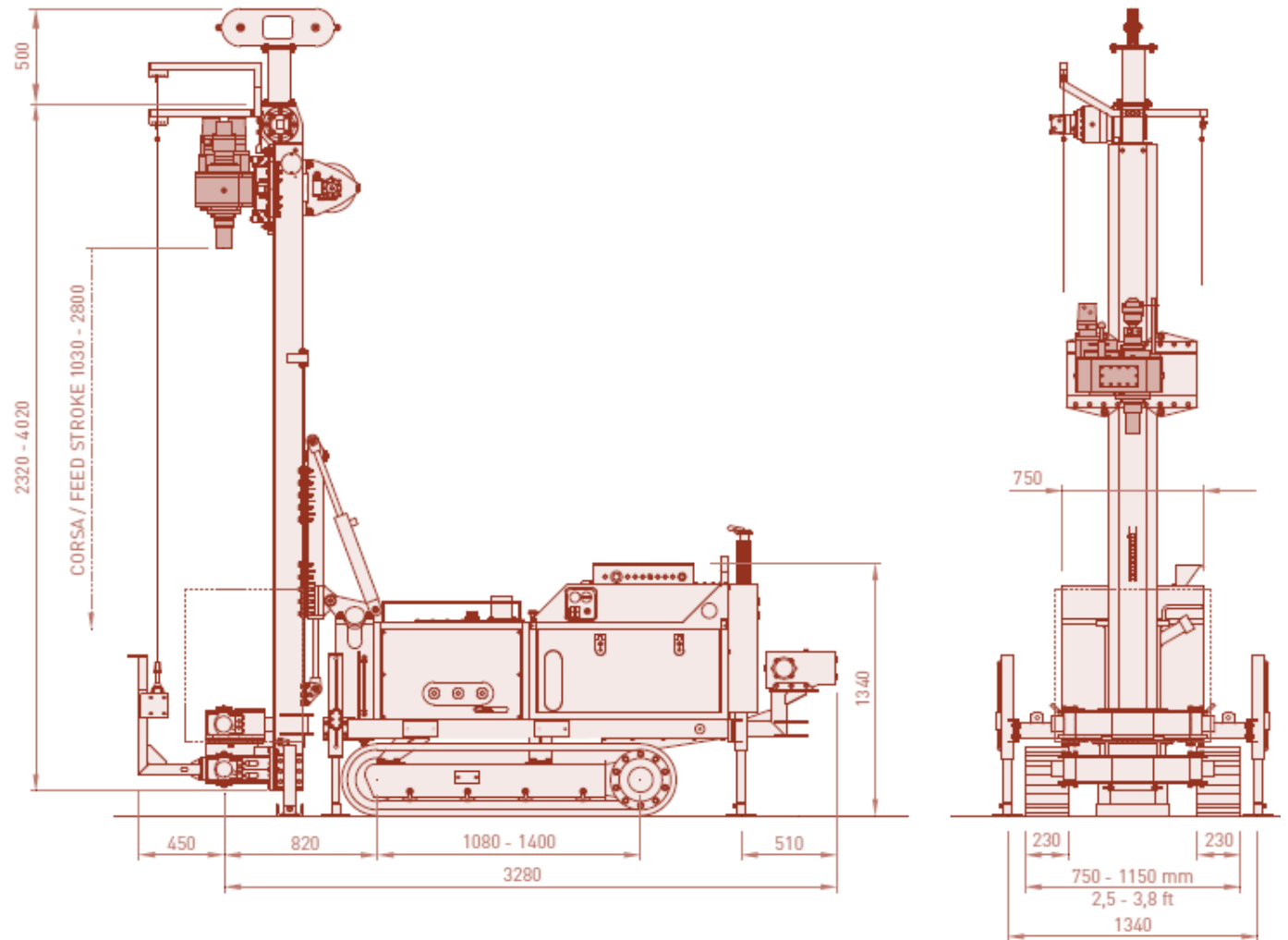
Drilling Method	Diameter/Size	Depth Guide (metres)
Diamond Coring (Wireline)	PQ	50 - 80
	HQ	100 - 120
	NQ	100 - 150
DTH Hammer (Rock drilling)	4" - 5"	30 - 40
	3"	60 - 70
Conventional Rotary (Auger, blade bit etc...)	8½"	50 - 60
	4¼"	40 - 50





## Mast Options and Dimensions

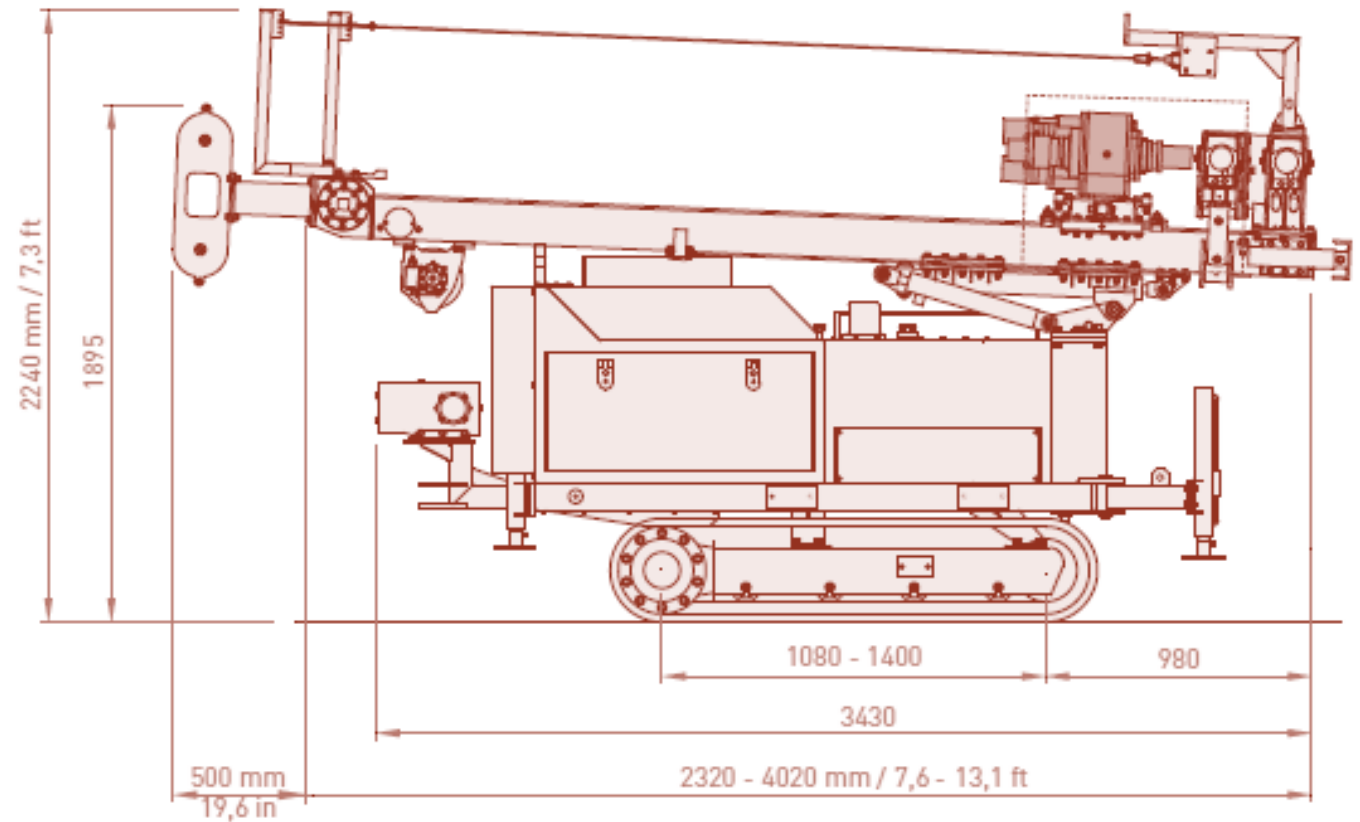
- Modular - low headroom mast options available
- Mast extension to handle 3m above the clamps available
- Variable width rubber undercarriage (only 750mm wide when retracted)





# Mast Options and Dimensions

- Compact and light
- Radio remote control tracking and drilling available
- Strong, stable and very capable machine
- Excellent market entry rig







AVAILABLE  
FOR  
IMMEDIATE  
DELIVERY



**COMACCHIO**

**IN STOCK  
NOW**

Comacchio GEO 205 SN 4695





**IN STOCK  
NOW**

Comacchio GEO 205 SN 4695



AVAILABLE  
FOR  
IMMEDIATE  
DELIVERY



AVAILABLE  
FOR  
IMMEDIATE  
DELIVERY



**COMACCHIO**

**IN STOCK  
NOW**

Comacchio GEO 205 SN  
4695







# For more information

---

Contact:  
Christopher Logan  
APAC Sales & Marketing Manager  
Drilltechniques  
Mb: +61 448 009 304  
Em: [manager@drilltechniques.com.au](mailto:manager@drilltechniques.com.au)

