



COMACCHIO

Comacchio GEO 305

Images



COMACCHIO



EO 305

Tech Line

COMACCHIO

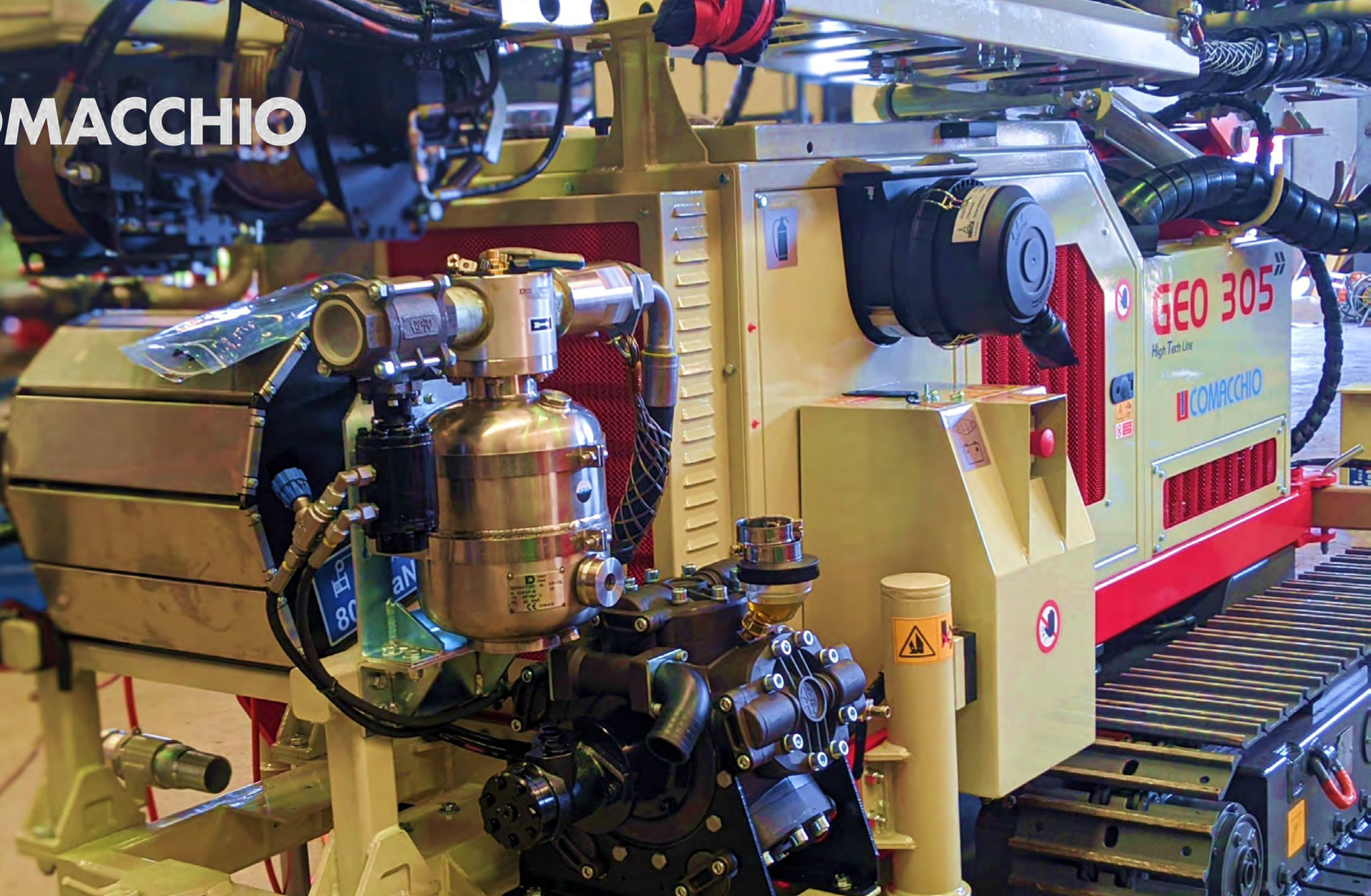
COMACCHIO
DIPLOMA HI-TECH


1 Tonne

2 Tonne



COMACCHIO

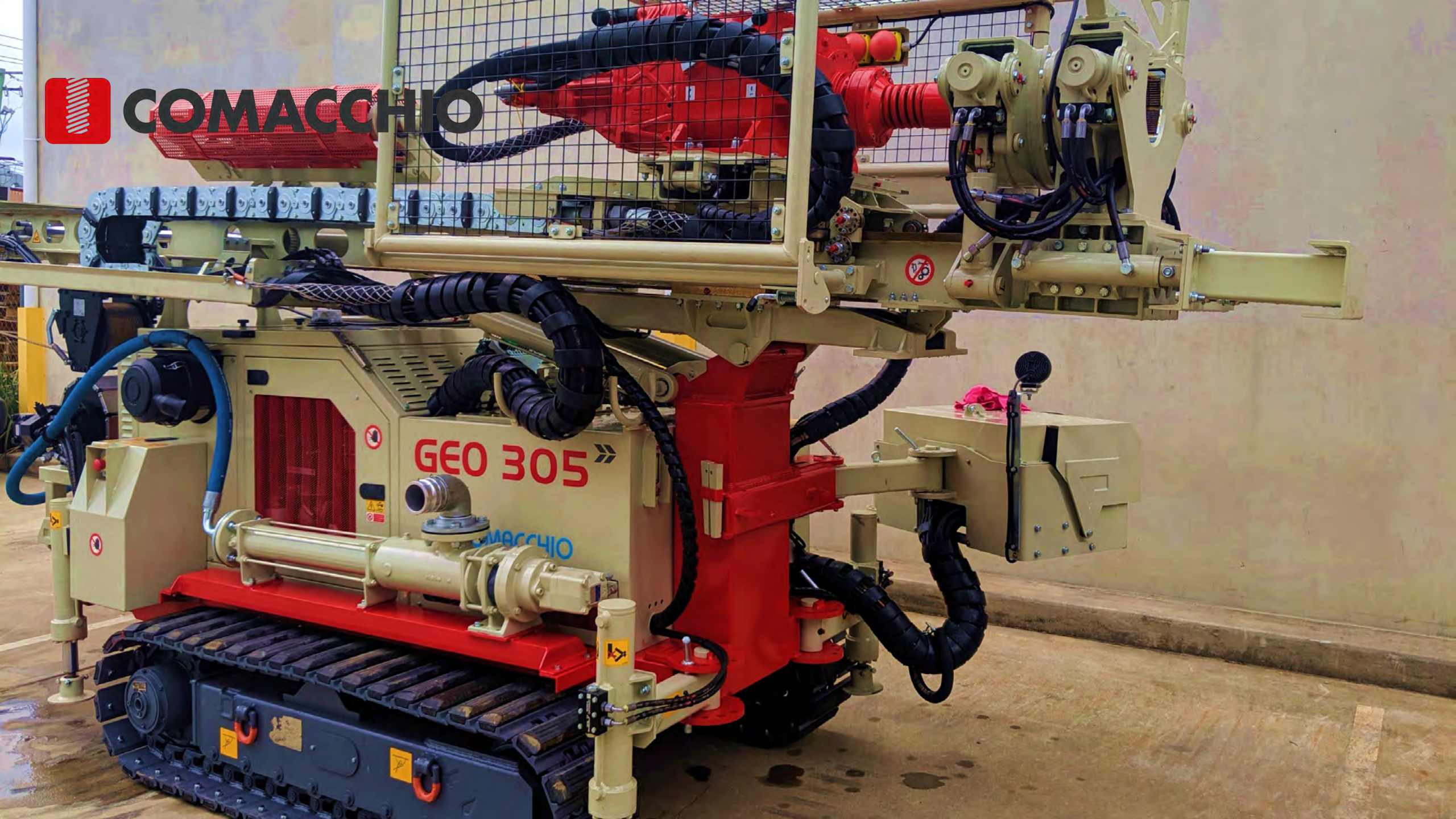


 **COMACCHIO**





COMACCHIO



GEO 305

COMACCHIO

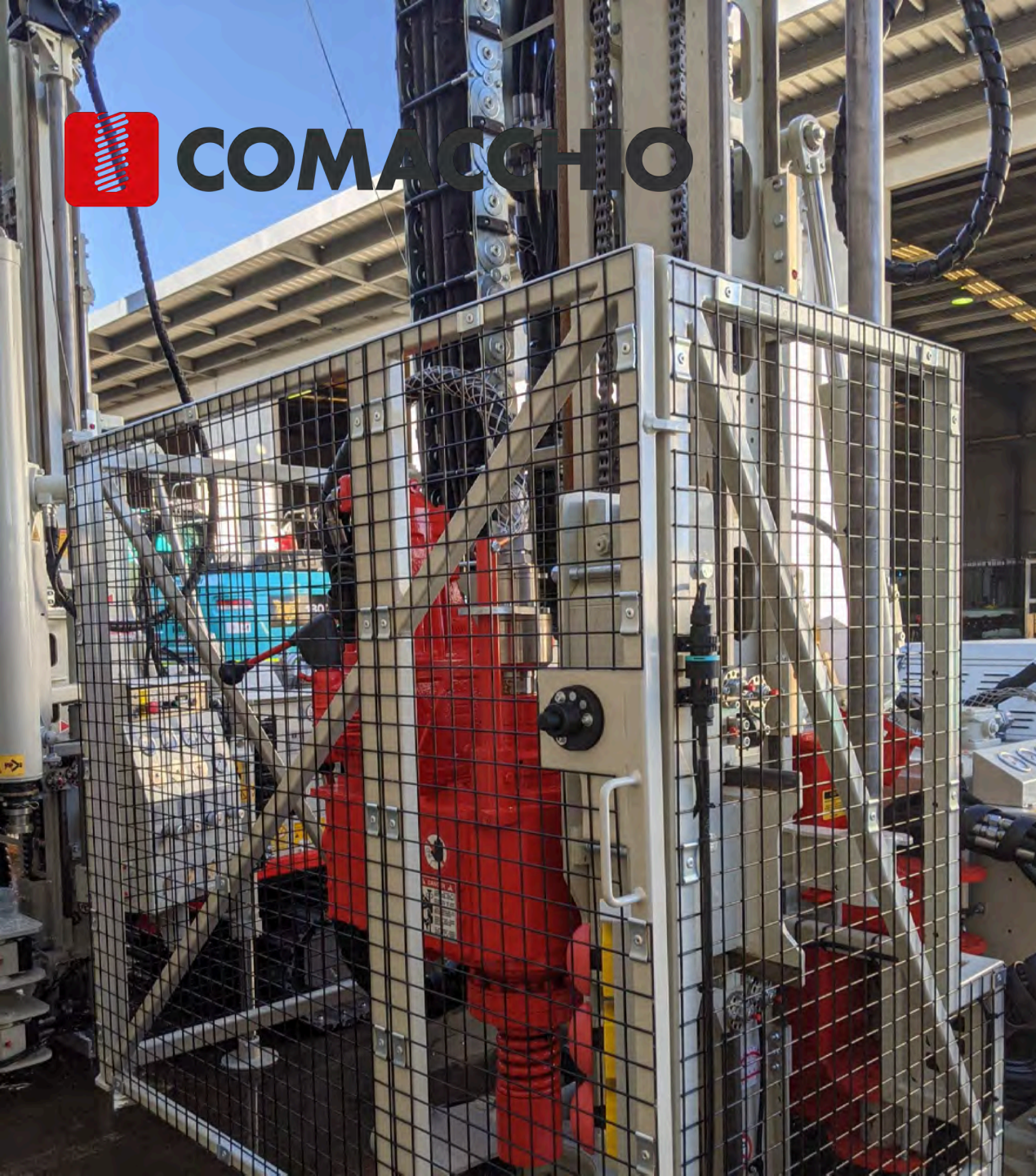


COMACCHIO





COMACCHIO





COMACCHIO

GEO 305
High Tech Line

COMACCHIO



CAUTION
SOLD OILIO MOTORE / BA
CONTENUTO DI CENER
LOW-ASH ENGINE OIL ON
SEULEMENT HUILE MOT
PALVRE EN CENDRES
NUR ASHARME MOTOREN





COMACCHIO

Instrumentation panel featuring four analog gauges and a central warning symbol. From left to right: a gauge with a scale up to 200, a gauge with a scale up to 400, a red prohibition sign with a hand, a gauge with a scale up to 200, a solid grey circular cover, and a gauge with a scale up to 200.

Top surface of the control panel with four vertical adjustment knobs and several instructional labels. The labels include a yellow warning diagram, a grey 'DEC' label, a yellow diagram with numbers 1, 2, and 3, a grey 'MAX. +/- 10%' label, and a white circular target-like diagram.

GEO 305

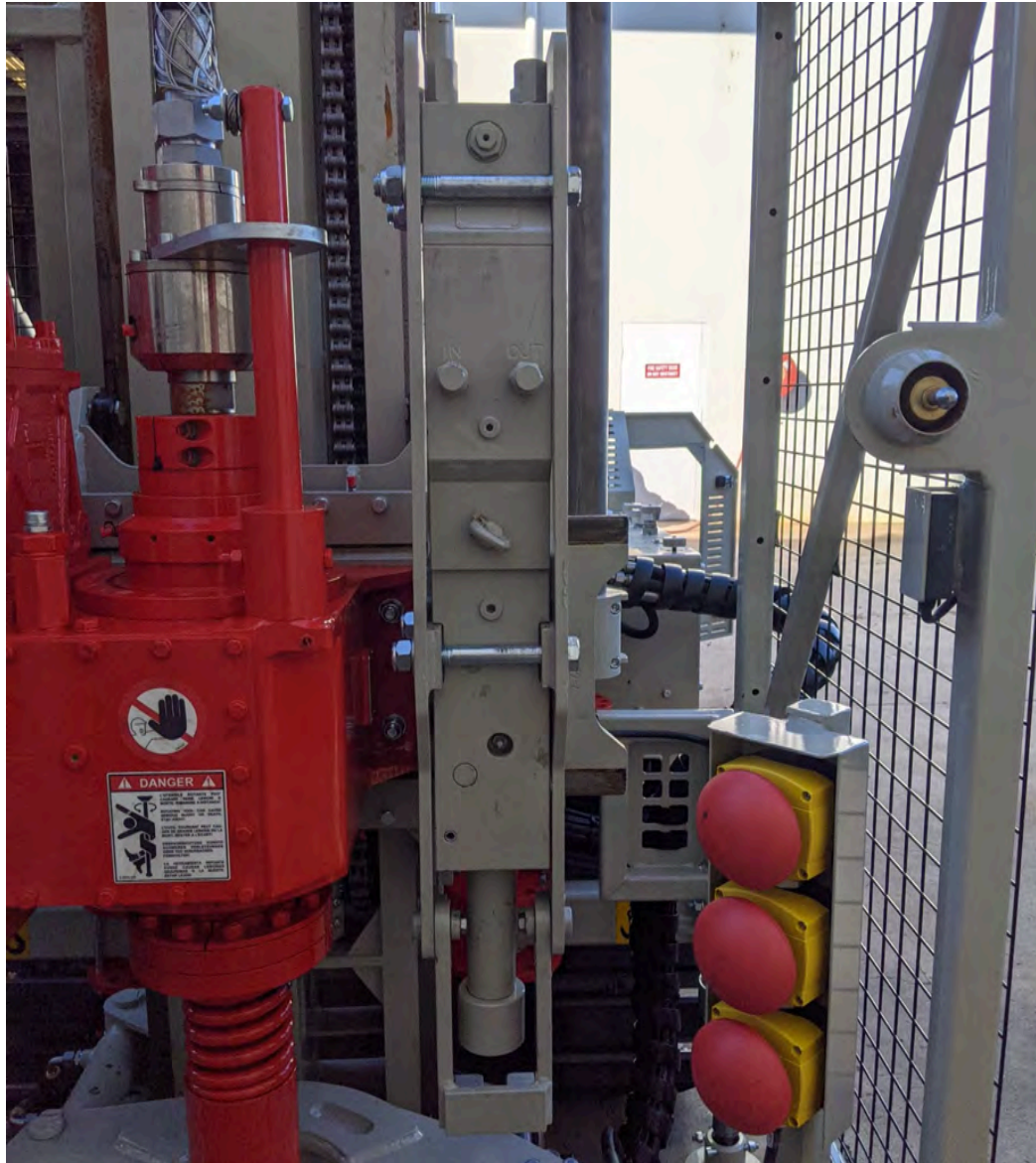
High Tech Line

 COMACCHIO

Control interface featuring two horizontal sliders and various safety and operational icons. The sliders are black with metal tips. The icons include a 'NO OPEN FLAME' symbol, a 'NO HOT WORK' symbol, and a 'NO SMOKING' symbol.

Yellow safety labels with diagrams and text. One label shows a crane hook and the text 'ATTENZIONE! NON TOCCARE LA CORDA DI TRACCE E I CAVI DI TRACCE DURANTE IL MOVIMENTO DELLA CORDA'. Another label shows a crane hook and the text 'ATTENZIONE! NON TOCCARE LA CORDA DI TRACCE E I CAVI DI TRACCE DURANTE IL MOVIMENTO DELLA CORDA'.

Yellow safety labels with diagrams and text. One label shows a crane hook and the text 'ATTENZIONE! CALZONI! ATTENZIONE!'. Another label shows a crane hook and the text 'ATTENZIONE! NON TOCCARE LA CORDA DI TRACCE E I CAVI DI TRACCE DURANTE IL MOVIMENTO DELLA CORDA'.



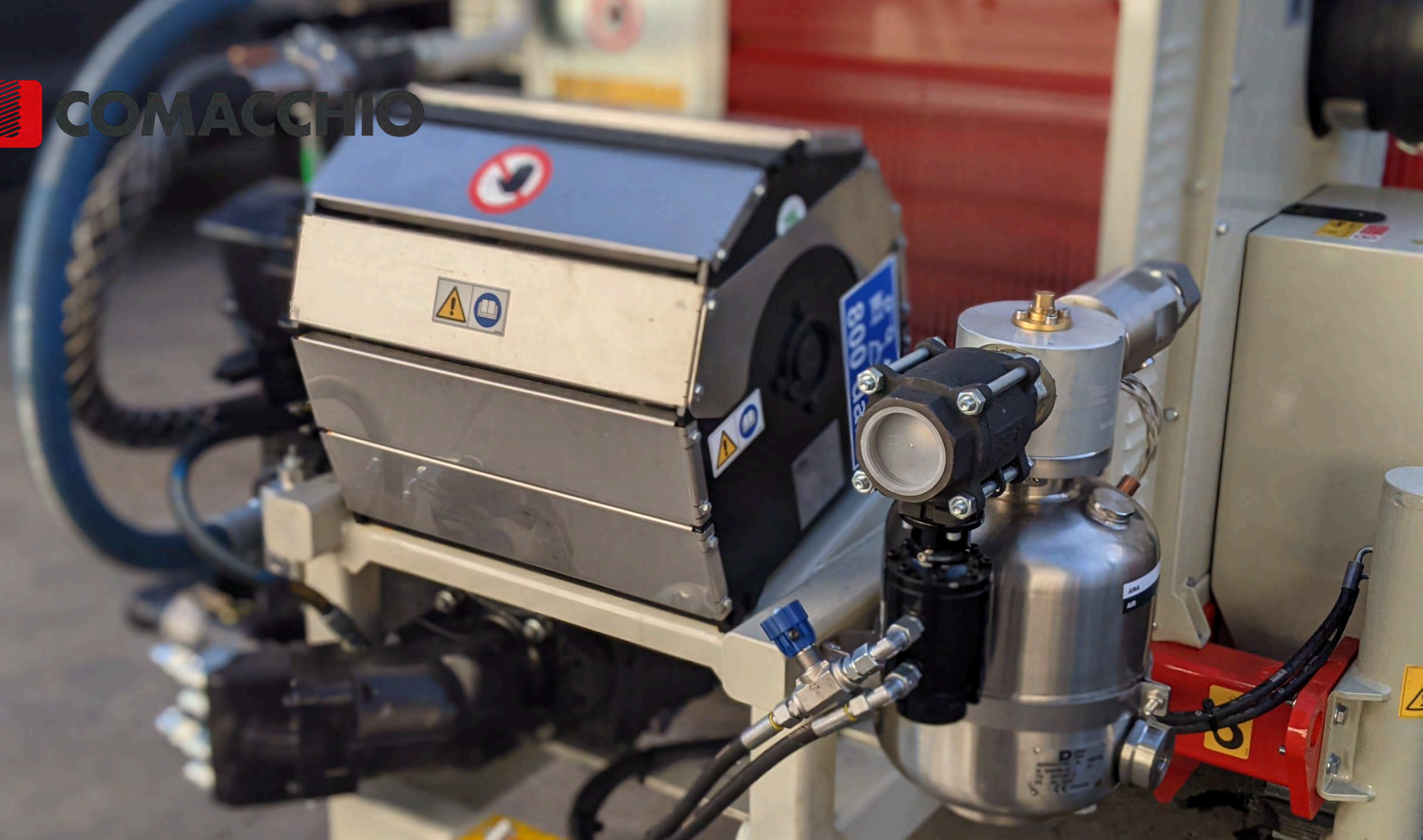


COMACCHIO





COMACCHIO





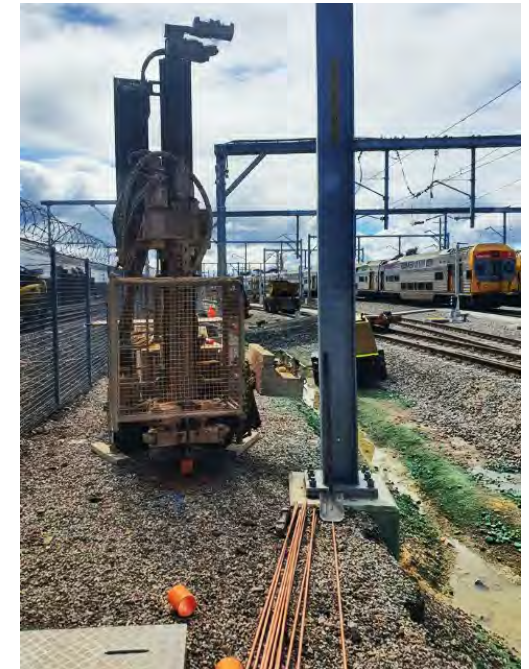
 **COMACCHIO**

drill
techniques
EXPERTISE DRIVING PERFORMANCE



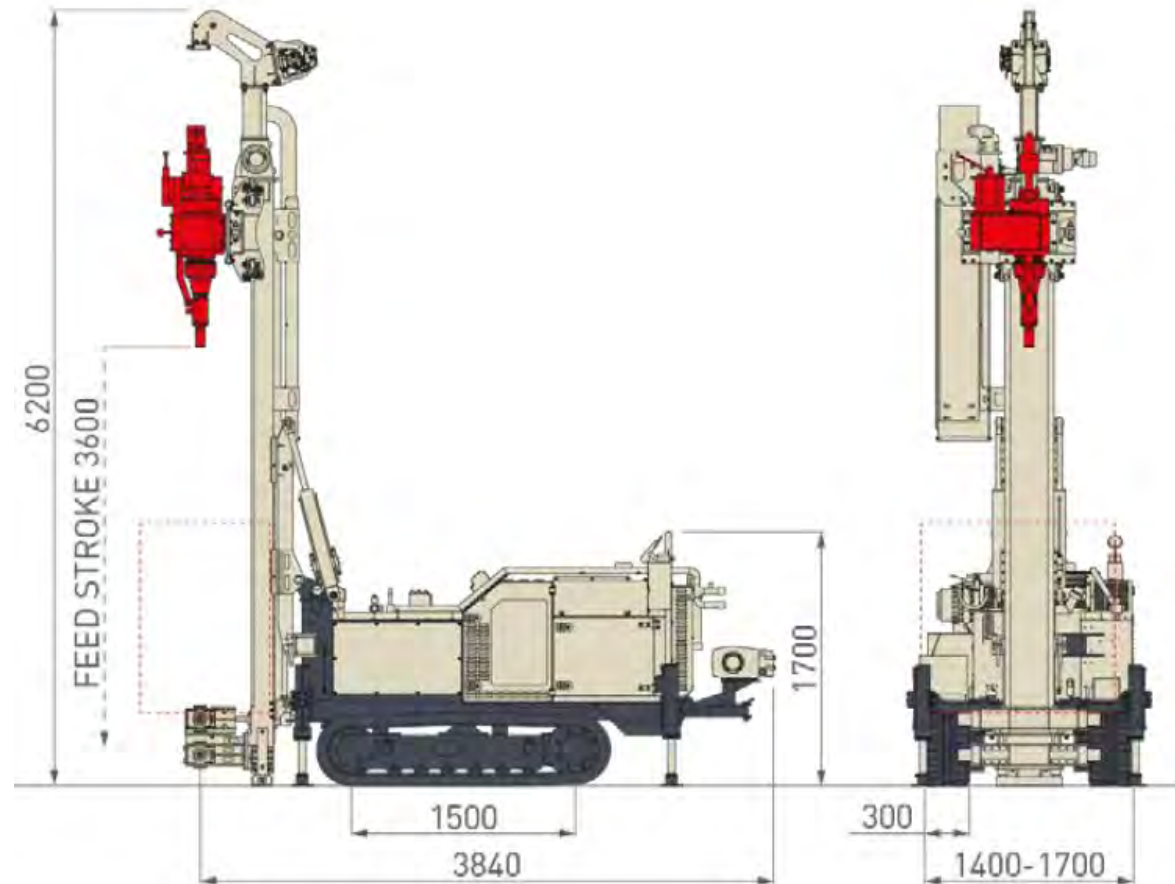
GEO 305 Drilling Capabilities

Drilling Method	Diameter/Size	Depth Guide (metres)
Diamond Coring (Wireline)	PQ	100 - 150
	HQ	130 - 180
	NQ	180 - 250
DTH Hammer (Rock drilling)	6"	50 - 60
	4 - 5"	100 - 120
Conventional Rotary (Auger, blade bit etc...)	8½"	60 - 80
	4¼"	80 - 120



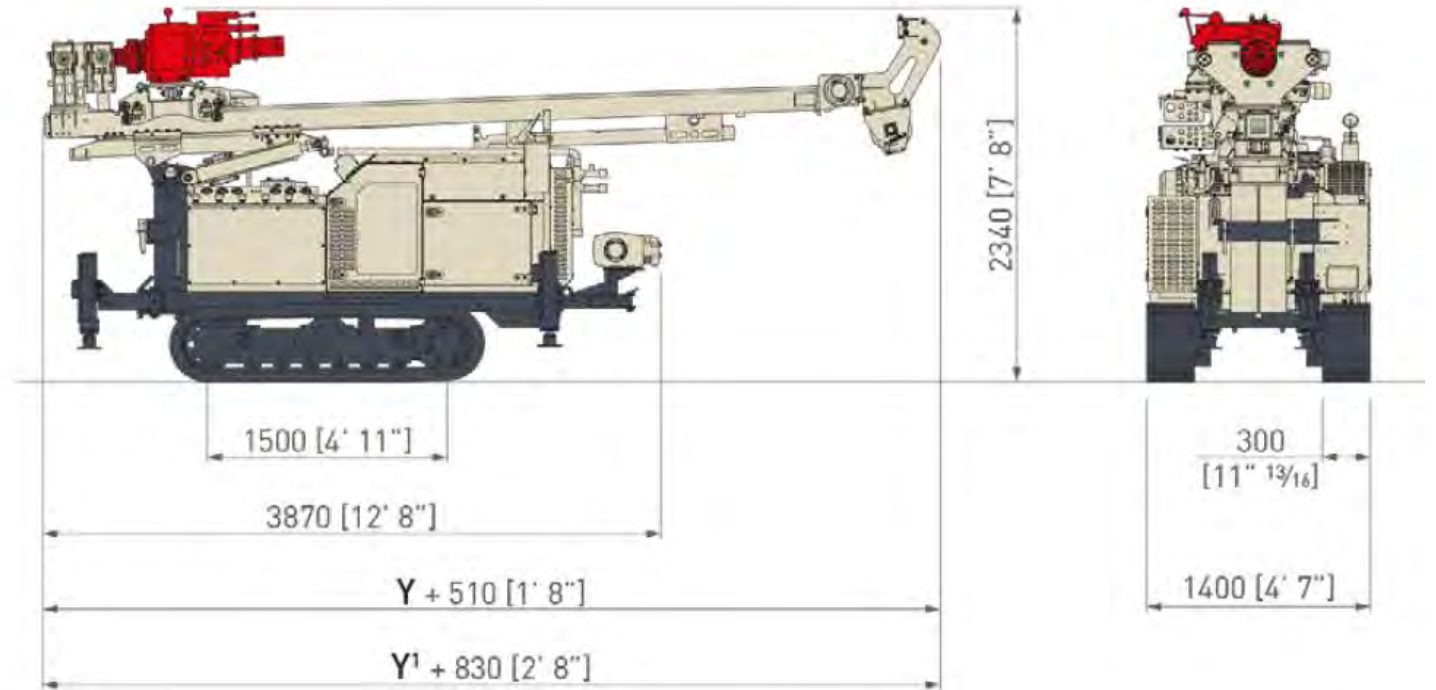
Mast Options and Dimensions

- Variety of mast options with up to 5 tonnes feed and retract force
- Mast extension to handle 6m above the clamps available
- Variable width undercarriage available with steel tracks and rubber shoes



Mast Options and Dimensions

- Compact and light
- Radio remote control tracking and drilling available
- Strong, stable and very capable machine
- Excellent market entry rig





For more
information

Contact:
Christopher Logan
APAC Sales & Marketing Manager
Drilltechniques
Mb: +61 448 009 304
Em: manager@drilltechniques.com.au

